

# QVDR

## VERTICAL, CENTRIFUGAL, VOLUTE-TYPE PUMPS WITH DUO-FLOW IMPELLER



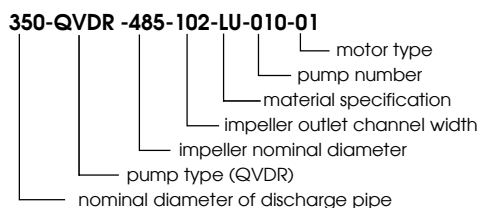
### APPLICATION

- primary and secondary water stations
- booster stations to increase the pressure in the water systems
- water supply systems in a wide range of industrial branches
- pumping, circulation and cooling circuits
- agriculture as pumping stations for large-area irrigation systems

### WORKING CONDITIONS

- drinking or utility water
- medium temperature up to +60°C
- pH 6 - 11

### TYPE IDENTIFICATION



### MATERIAL SPECIFICATION

Part name	LU
pump body - bottom end	EN-GJL-250
pump body - upper end	EN-GJL-250
bearing body	EN-GJS-500
impeller	X20Cr14 (DIN)
body seal ring	3346-HM
impeller seal ring	3346-HM
shaft	1.0503
base subframe, motor stand	1.0570

### SEAL DESIGN

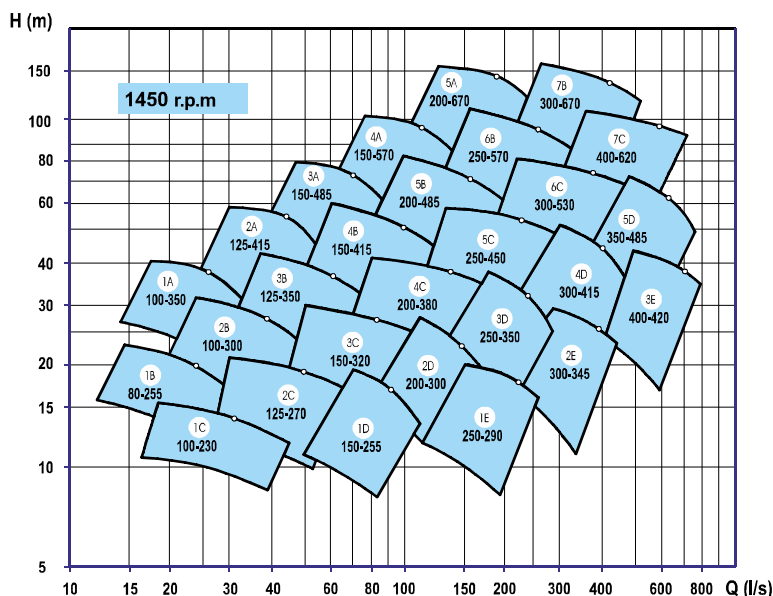
- hydraulic area tightness on both ends achieved by means of shaft packing
  - non flooded packing (for pure water)
  - flooded from foreign source (for polluted water)
- Types of seals
  - soft cord packing
  - single mechanical seal, cartridge type



QVDR

### WORKING AREA

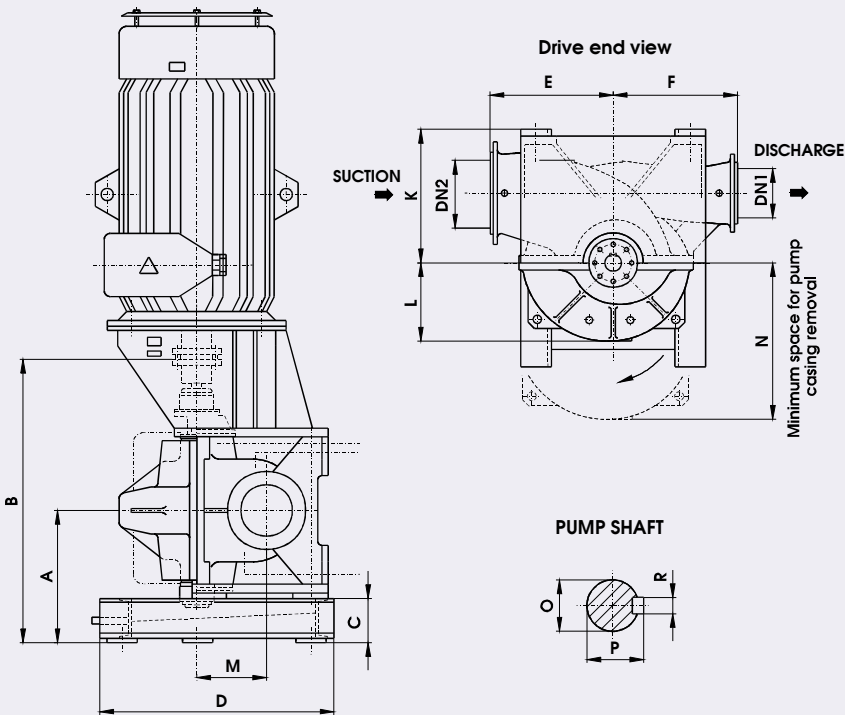
PUMP SIZE	SHAFT SPEED (r.p.m.)	FLOW Q (l/s)	DELIVERY HEAD H (m)	TEMPERATURE MAX. (°C)
from 80-QVDR-255 to 400-QVDR-620	from 740 to 1450	from 15 to 800	from 10 to 150	60



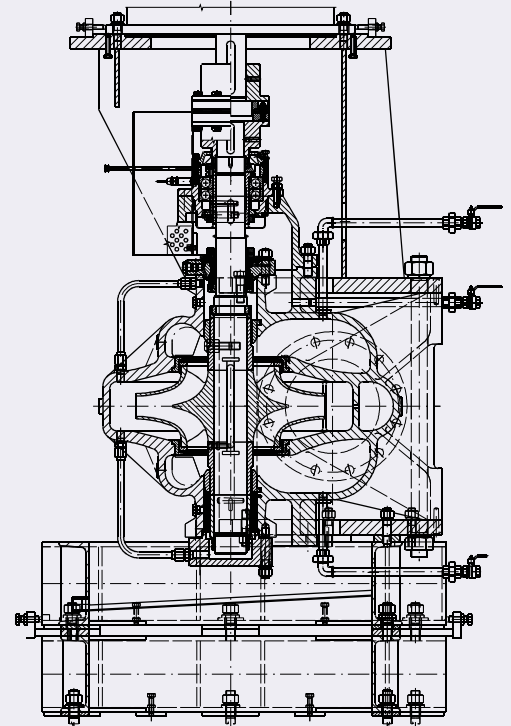
### MOTORS

- foot-mounted electric motor drive
- driving force transmitted using a flexible coupling
  - flexible coupling without a spacer
  - flexible coupling with a spacer

### BASIC DIMENSIONS



### CROSS-SECTION DRAWING



Name		Discharge Pipe				Pump Dimensions (mm)													(kg)
Size	Type	DN1	DN2	PN1	PN2	A	B	C	D	E	F	K	L	M	N	O	P	R	
1A	100-QVDR-350-25	100	150	10	10	385	895	150	800	300	300	390	280	215	550	40	43.1	12	550
2A	125-QVDR-415-30	125	200	10	10	455	1035	170	900	350	350	460	310	255	600	45	48.5	14	700
3A	150-QVDR-485-35	150	250	16	10	525	1135	210	1000	450	450	540	340	300	600	55	58.8	16	900
4A	150-QVDR-570-40	150	250	16	10	575	1305	230	1100	650	500	570	370	340	750	70	74.6	20	1100
5A	200-QVDR-670-46	200	300	25	10	675	1545	255	1300	750	600	670	460	400	900	78	83.5	20	1500
1B	80-QVDR-255-23	80	125	10	10	365	805	150	600	300	350	310	210	145	450	35	38.3	10	450
2B	100-QVDR-300-27	100	150	10	10	405	905	150	700	350	400	350	250	170	500	40	43.1	12	550
3B	125-QVDR-350-31	125	200	10	10	455	1015	170	800	400	450	410	280	200	550	45	48.5	14	650
4B	150-QVDR-415-37	150	250	16	10	495	1055	170	900	550	500	510	300	275	600	45	48.5	14	800
5B	200-QVDR-485-44	200	300	16	10	520	1158	210	1000	500	600	550	345	280	700	55	58.8	16	1100
6B	250-QVDR-570-50	250	350	16	10	595	1335	230	1160	600	700	610	400	325	800	70	74.6	20	1400
7B	300-QVDR-670-58	300	500	25	10	750	1745	255	1400	850	800	810	460	430	900	90	95.3	25	2100
1C	100-QVDR-230-30	100	150	10	10	375	855	150	600	300	300	330	190	160	400	35	38.3	10	500
2C	125-QVDR-270-30	125	200	10	10	405	910	150	700	400	350	410	215	190	450	45	48.5	14	600
3C	150-QVDR-320-42	150	250	10	10	450	1050	170	900	450	400	510	245	220	500	55	58.8	16	750
4C	200-QVDR-380-52	200	300	10	10	545	1195	210	900	550	500	530	290	265	600	55	58.8	16	1050
5C	250-QVDR-450-58	250	350	10	10	590	1315	230	1100	600	600	590	340	315	650	70	74.6	20	1400
6C	300-QVDR-530-72	300	400	25	10	720	1640	255	1300	700	700	690	430	370	800	78	83.5	22	1900
7C	400-QVDR-620-80	400	500	16	10	785	1810	255	1400	800	800	810	455	430	850	90	95.3	25	2500
1D	150-QVDR-255-56	150	250	10	10	465	995	170	800	450	400	440	240	215	500	45	48.5	14	650
2D	200-QVDR-300-65	200	300	10	10	525	1125	210	900	550	500	530	280	270	550	45	48.5	14	800
3D	250-QVDR-350-72	250	350	10	10	560	1220	210	1100	630	600	610	330	315	600	55	58.8	16	1200
4D	300-QVDR-415-86	300	400	10	10	665	1400	230	1200	700	700	640	380	320	700	70	74.6	20	1700
5D	350-QVDR-485-102	350	500	16	10	750	1700	255	1400	850	800	820	455	430	800	78	83.5	22	2500
1E	250-QVDR-290-90	250	350	10	10	545	1185	210	900	550	550	570	245	260	500	55	58.8	16	1200
2E	300-QVDR-345-108	300	500	10	10	675	1410	230	1200	650	650	740	355	350	650	70	74.6	20	1600
3E	400-QVDR-420-132	400	600	10	10	750	1710	255	1500	850	800	870	440	420	750	78	82.6	20	2600